

605

ROD SEAL

*Twin Lip
Polyurethane*

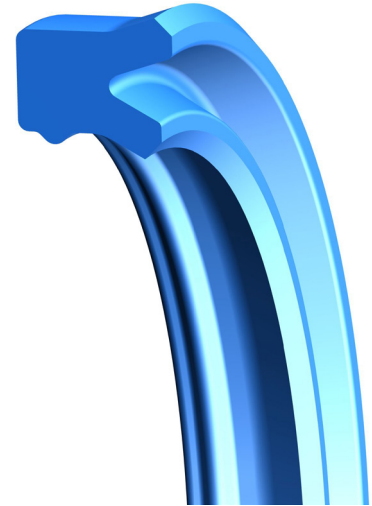
DESIGN

The Hallite 605 twin lip, asymmetric rod seal is designed with precision trimmed sealing lips to provide a dry sealing solution in light and medium-duty applications. The seal can be considered for use in heavy-duty applications when used with a suitable full depth back-up ring. The sealing lips are precision trimmed at an angle to give optimal rod sealing performance.

The range covers most standard housings used in Europe, North America and Asia.

The Hallite 605 is designed to have interference in the seal housing groove and has a secondary lip. The secondary sealing lip located behind the primary sealing lip improves stability of the seal in the gland. The inner dynamic lip is shorter and more robust to improving sealing and compression set characteristics over conventional, symmetrical U-rings.

The Hallite 605 is moulded in Hythane® 181, Hallite's high-performance polyurethane, for easy installation and excellent low temperature performance.



FEATURES

- General purpose rod seal
- Robust design
- Excellent wear resistance
- Increase seal stability
- Performs well over wide temperature range and is extremely effective in low temperatures
- Primary lip protection
- Easy to install

MATERIALS

As standard, this product comes in the following material. Contact your local Hallite technical team if you would like to find out if this profile can be made in a custom material to suit your application. For further material details, please refer to the Hallite Material Table.

MATERIAL OPTIONS	Name	Type	Colour
Standard	Hythane® 181	TPU-EU	Blue



TECHNICAL DETAILS

OPERATING CONDITIONS	METRIC	INCH
Maximum Speed	1.0 m/sec	3.0 ft/sec
Temperature Range	-45°C +110°C	-50°F +230°F
Maximum Pressure	400 bar	6000 psi
Maximum Pressure with Backup Ring	700 bar	10000 psi

NOTE

Data given are maximum values and can apply depending on specific application. Maximum ratings of temperature, pressure, or operating speeds are dependent on fluid medium, surface, gap value, and other variables such as dynamic or static service. Maximum values are not intended for use together at the same time, e.g. max temperature and max pressure. Please contact your Hallite technical representative for application support.

NOTE

Pressure Rating: Can be extended with use of back-up ring. Seek technical advice from local Hallite office.

MAXIMUM EXTRUSION GAP			
Pressure bar	160	250	400
Maximum Gap mm	0.60	0.50	0.40
Pressure psi	2400	3750	6000
Maximum Gap in	0.024	0.020	0.016

NOTE

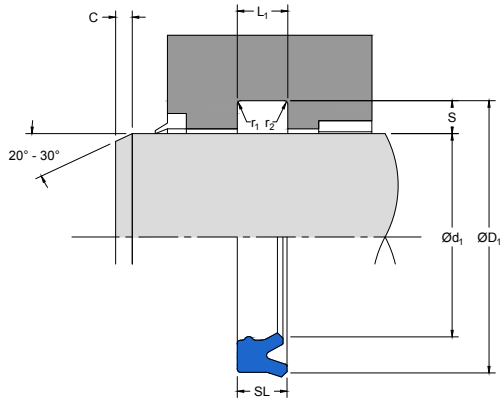
Figures show the maximum permissible gap all on one side, for rod seals using minimum rod \varnothing and maximum clearance \varnothing and for piston seals using the minimum clearance \varnothing and maximum bore \varnothing . Refer to Housing Design section.

SURFACE ROUGHNESS	μmRa	μmRz	μmRt	μinRa	μinRz	μinRt
Dynamic Sealing Face $\varnothing d_1$	0.1 - 0.4	1.6 max	4 max	4 - 16	63 max	157 max
Static Sealing Face $\varnothing D_1$	1.6 max	6.3 max	10 max	63 max	250 max	394 max
Static Housing Faces L_1	3.2 max	10 max	16 max	125 max	394 max	630 max

CHAMFERS & RADII						
Groove Section $<S$ mm	4.00	5.00	7.50	10.00	12.50	15.00
Min Chamfer C mm	3.00	3.50	5.00	6.50	7.00	8.00
Max Fillet Rad r_1 mm	0.20	0.40	0.80	0.80	1.20	1.60
Max Fillet Rad r_2 mm	0.40	0.80	1.20	1.20	1.60	2.40
Groove Section $\leq S$ in	0.125	0.187	0.250	0.312	0.375	0.500
Min Chamfer C in	0.093	0.093	0.125	0.156	0.187	0.187
Max Fillet Rad r_1 in	0.008	0.008	0.016	0.032	0.032	0.032
Max Fillet Rad r_2 in	0.016	0.016	0.032	0.047	0.047	0.047

TOLERANCES	$\varnothing d_1$	$\varnothing D_1$	L_1
mm	f9	Js11	+0.25 -0
in	f9	Js11	+0.010 -0





605

ROD SEAL

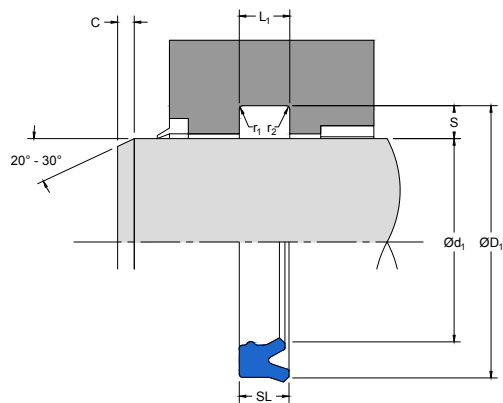
*Twin Lip
Polyurethane*

PART NUMBER RANGE

METRIC						
Ød ₁	TOL f9	ØD ₁	TOL Js11	SL	L ₁ +0.25-0	PART No.
6.00	-0.01 -0.04	15.00	+0.06 -0.06	7.30	8.00	4790600
6.00	-0.01 -0.04	16.00	+0.06 -0.06	7.00	8.00	4580600
8.00	-0.01 -0.05	18.00	+0.06 -0.06	7.00	8.00	4580500
10.00	-0.01 -0.05	15.00	+0.06 -0.06	3.60	4.00	4402300
12.00	-0.02 -0.06	18.00	+0.06 -0.06	4.00	4.50	4578000
12.00	-0.02 -0.06	18.00	+0.06 -0.06	5.70	6.30	4314900
12.00	-0.02 -0.06	19.00	+0.07 -0.07	4.50	5.00	4341600
12.00	-0.02 -0.06	19.00	+0.07 -0.07	5.10	5.60	4710000‡
12.00	-0.02 -0.06	20.00	+0.07 -0.07	5.70	6.30	4310900‡
12.00	-0.02 -0.06	22.00	+0.07 -0.07	7.30	8.00	4857200‡
12.00	-0.02 -0.06	22.00	+0.07 -0.07	7.70	9.00	4315000
12.70	-0.02 -0.06	18.00	+0.06 -0.06	5.50	6.00	4370400
13.00	-0.02 -0.06	20.00	+0.07 -0.07	4.50	5.00	4351600
14.00	-0.02 -0.06	21.00	+0.07 -0.07	5.10	5.60	4710100‡
14.00	-0.02 -0.06	22.00	+0.07 -0.07	5.70	6.30	4311000‡
14.00	-0.02 -0.06	24.00	+0.07 -0.07	7.30	8.00	4310000‡
15.00	-0.02 -0.06	22.00	+0.07 -0.07	5.70	6.30	4762200

NOTE

Part numbers commencing "46" or suffixed by "Σ" are designed to suit popular Asian housings.
Part numbers suffixed by "‡" indicate housing sizes to meet ISO5597.



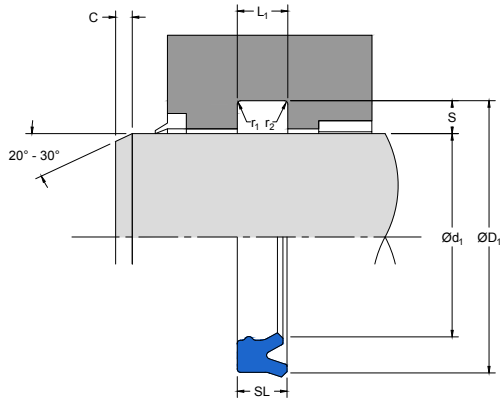
PART NUMBER RANGE

METRIC						
Ød ₁	TOL f ₉	ØD ₁	TOL Js11	SL	L ₁ +0.25-0	PART No.
15.37	-0.02 -0.06	25.50	+0.07 -0.07	6.35	7.40	4333800
16.00	-0.02 -0.06	22.00	+0.07 -0.07	4.50	5.00	4341700
16.00	-0.02 -0.06	22.00	+0.07 -0.07	5.00	6.00	4314100
16.00	-0.02 -0.06	24.00	+0.07 -0.07	5.80	6.30	4295200‡
16.00	-0.02 -0.06	26.00	+0.07 -0.07	7.70	9.00	4311100
18.00	-0.02 -0.06	24.00	+0.07 -0.07	4.50	5.00	4712000
18.00	-0.02 -0.06	25.00	+0.07 -0.07	5.00	6.00	4314200
18.00	-0.02 -0.06	26.00	+0.07 -0.07	5.00	5.70	4611000
18.00	-0.02 -0.06	26.00	+0.07 -0.07	5.70	6.30	4311200‡
18.00	-0.02 -0.06	26.00	+0.07 -0.07	6.00	7.00	4333900
18.00	-0.02 -0.06	26.00	+0.07 -0.07	8.20	9.00	4863000
18.00	-0.02 -0.06	28.00	+0.07 -0.07	7.70	9.00	4305100
20.00	-0.02 -0.07	25.00	+0.07 -0.07	3.20	3.50	4332100
20.00	-0.02 -0.07	26.00	+0.07 -0.07	5.00	5.50	4315100
20.00	-0.02 -0.07	26.00	+0.07 -0.07	6.50	7.60	4826000
20.00	-0.02 -0.07	27.00	+0.07 -0.07	6.10	6.70	4702900
20.00	-0.02 -0.07	28.00	+0.07 -0.07	5.00	5.70	4611100

NOTE

Part numbers commencing "46" or suffixed by "X" are designed to suit popular Asian housings.
Part numbers suffixed by "‡" indicate housing sizes to meet ISO5597.





605

ROD SEAL

*Twin Lip
Polyurethane*

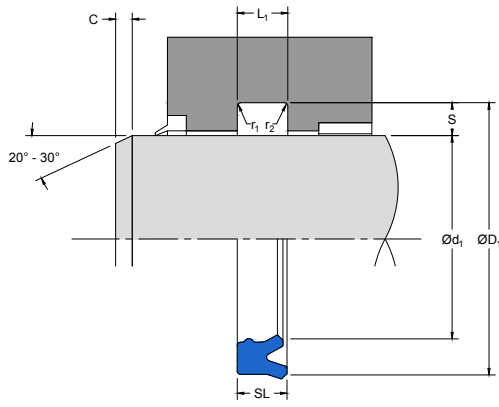
PART NUMBER RANGE

METRIC						
Ød ₁	TOL f9	ØD ₁	TOL Js11	SL	L ₁ +0.25-0	PART No.
20.00	-0.02 -0.07	28.00	+0.07 -0.07	5.70	6.30	4362100‡
20.00	-0.02 -0.07	28.00	+0.07 -0.07	6.30	7.00	4626000
20.00	-0.02 -0.07	30.00	+0.07 -0.07	6.00	7.00	4611200
20.00	-0.02 -0.07	30.00	+0.07 -0.07	7.30	8.00	4857300‡
20.00	-0.02 -0.07	30.00	+0.07 -0.07	7.70	9.00	4305200
20.00	-0.02 -0.07	30.00	+0.07 -0.07	10.00	11.00	4310300
22.00	-0.02 -0.07	27.50	+0.07 -0.07	4.50	5.00	4896100
22.00	-0.02 -0.07	30.00	+0.07 -0.07	5.00	5.70	4617500
22.00	-0.02 -0.07	30.00	+0.07 -0.07	5.70	6.30	4305300‡
22.00	-0.02 -0.07	30.00	+0.07 -0.07	6.30	7.00	4626100
22.00	-0.02 -0.07	30.00	+0.07 -0.07	7.30	8.00	4356800
22.00	-0.02 -0.07	32.00	+0.08 -0.08	7.30	8.00	4310800‡
22.00	-0.02 -0.07	32.00	+0.08 -0.08	8.20	9.00	4863300
22.00	-0.02 -0.07	32.00	+0.08 -0.08	10.00	11.00	4311300
22.40	-0.02 -0.07	30.00	+0.07 -0.07	5.00	5.70	4611300
22.40	-0.02 -0.07	32.40	+0.08 -0.08	8.00	9.00	4616600
24.00	-0.02 -0.07	30.00	+0.07 -0.07	4.50	5.00	4773500

NOTE

Part numbers commencing "46" or suffixed by "X" are designed to suit popular Asian housings.
Part numbers suffixed by "‡" indicate housing sizes to meet ISO5597.





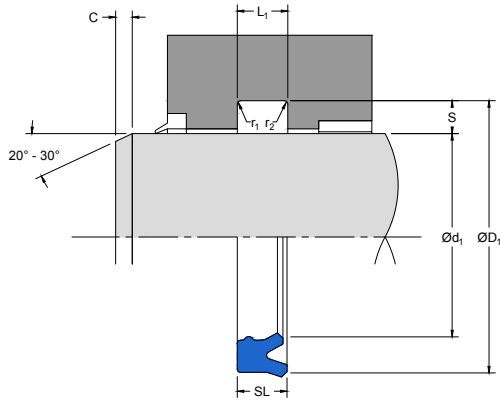
PART NUMBER RANGE

METRIC						
Ød ₁	TOL f ₉	ØD ₁	TOL Js11	SL	L ₁ +0.25-0	PART No.
25.00	-0.02 -0.07	33.00	+0.08 -0.08	5.00	5.70	4610100
25.00	-0.02 -0.07	33.00	+0.08 -0.08	5.70	6.30	4305400‡
25.00	-0.02 -0.07	33.00	+0.08 -0.08	6.80	7.50	4333500
25.00	-0.02 -0.07	33.00	+0.08 -0.08	8.00	9.00	4807800
25.00	-0.02 -0.07	33.00	+0.08 -0.08	10.00	11.00	4315200
25.00	-0.02 -0.07	35.00	+0.08 -0.08	7.30	8.00	4512000‡
25.00	-0.02 -0.07	35.00	+0.08 -0.08	7.70	9.00	4311400
25.00	-0.02 -0.07	35.00	+0.08 -0.08	10.00	11.00	4310500
25.00	-0.02 -0.07	37.00	+0.08 -0.08	10.00	11.00	4379900
25.00	-0.02 -0.07	40.00	+0.08 -0.08	10.00	11.00	4322900
26.00	-0.02 -0.07	36.00	+0.08 -0.08	7.00	8.00	4459400
28.00	-0.02 -0.07	35.50	+0.08 -0.08	5.00	5.70	4611400
28.00	-0.02 -0.07	36.00	+0.08 -0.08	5.70	6.30	4703000‡
28.00	-0.02 -0.07	36.00	+0.08 -0.08	6.30	7.00	4626200
28.00	-0.02 -0.07	38.00	+0.08 -0.08	7.30	8.00	4305500‡
28.00	-0.02 -0.07	43.00	+0.08 -0.08	11.40	12.50	4399000‡
30.00	-0.02 -0.07	38.00	+0.08 -0.08	5.70	6.30	4704500

NOTE

Part numbers commencing "46" or suffixed by "X" are designed to suit popular Asian housings.
Part numbers suffixed by "‡" indicate housing sizes to meet ISO5597.





605

ROD SEAL

*Twin Lip
Polyurethane*

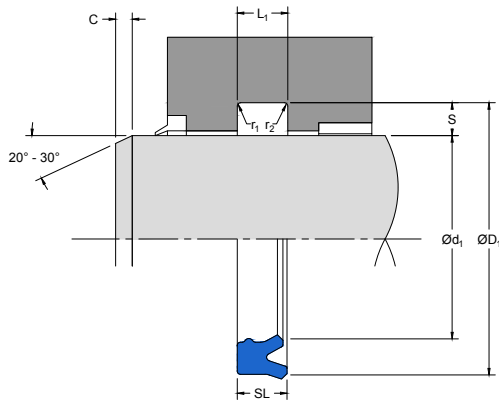
PART NUMBER RANGE

METRIC						
Ød ₁	TOL f9	ØD ₁	TOL Js11	SL	L ₁ +0.25-0	PART No.
30.00	-0.02	38.00	+0.08	6.30	7.00	4402700
	-0.07		-0.08			
30.00	-0.02	40.00	+0.08	6.00	7.00	4610200
	-0.07		-0.08			
30.00	-0.02	40.00	+0.08	7.00	7.70	4703100
	-0.07		-0.08			
30.00	-0.02	40.00	+0.08	7.30	8.00	4857400
	-0.07		-0.08			
30.00	-0.02	40.00	+0.08	8.50	9.50	4826100
	-0.07		-0.08			
30.00	-0.02	40.00	+0.08	10.00	11.00	4304600
	-0.07		-0.08			
30.00	-0.02	42.00	+0.08	10.90	12.00	4383100
	-0.07		-0.08			
30.00	-0.02	43.00	+0.08	10.00	11.00	4625700
	-0.07		-0.08			
30.00	-0.02	45.00	+0.08	9.00	10.00	4618900
	-0.07		-0.08			
30.00	-0.02	45.00	+0.08	10.00	11.00	4857500
	-0.07		-0.08			
30.00	-0.02	50.00	+0.08	10.00	11.00	4328500
	-0.07		-0.08			
32.00	-0.03	40.00	+0.08	6.00	7.00	4310700
	-0.09		-0.08			
32.00	-0.03	40.00	+0.08	6.70	7.70	4334000
	-0.09		-0.08			
32.00	-0.03	40.00	+0.08	7.70	9.00	4315300
	-0.09		-0.08			
32.00	-0.03	41.50	+0.08	7.90	8.90	4334100
	-0.09		-0.08			
32.00	-0.03	42.00	+0.08	5.70	6.30	4360100‡
	-0.09		-0.08			
32.00	-0.03	42.00	+0.08	6.00	7.00	4616100
	-0.09		-0.08			

NOTE

Part numbers commencing "46" or suffixed by "X" are designed to suit popular Asian housings.
Part numbers suffixed by "‡" indicate housing sizes to meet ISO5597.





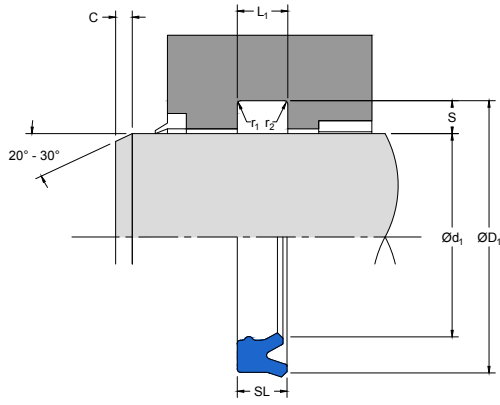
PART NUMBER RANGE

METRIC						
Ød ₁	TOL f ₉	ØD ₁	TOL Js ₁₁	SL	L ₁ +0.25-0	PART No.
32.00	-0.03 -0.09	42.00	+0.08 -0.08	7.30	8.00	4374200‡
32.00	-0.03 -0.09	42.00	+0.08 -0.08	10.00	11.00	4305600
32.00	-0.03 -0.09	45.00	+0.08 -0.08	10.00	11.00	4597700
32.00	-0.03 -0.09	47.00	+0.08 -0.08	9.10	10.00	4329600
32.00	-0.03 -0.09	47.00	+0.08 -0.08	10.00	11.00	4338900
32.00	-0.03 -0.09	48.00	+0.08 -0.08	10.00	11.00	4492500
35.00	-0.03 -0.09	43.00	+0.08 -0.08	5.70	6.30	4703200
35.00	-0.03 -0.09	43.00	+0.08 -0.08	6.30	7.00	4402800
35.00	-0.03 -0.09	43.00	+0.08 -0.08	8.20	9.00	4309000
35.00	-0.03 -0.09	45.00	+0.08 -0.08	6.00	7.00	4611500
35.00	-0.03 -0.09	45.00	+0.08 -0.08	7.00	8.00	4619200
35.00	-0.03 -0.09	45.00	+0.08 -0.08	7.70	9.00	4314300
35.00	-0.03 -0.09	45.00	+0.08 -0.08	10.00	11.00	4305700
35.00	-0.03 -0.09	50.00	+0.08 -0.08	9.00	10.00	4611600
35.00	-0.03 -0.09	50.00	+0.08 -0.08	10.00	11.00	4322500
35.50	-0.03 -0.09	45.00	+0.08 -0.08	6.00	7.00	4616700
35.50	-0.03 -0.09	50.50	+0.10 -0.10	10.00	11.00	4616900

NOTE

Part numbers commencing "46" or suffixed by "X" are designed to suit popular Asian housings.
Part numbers suffixed by "‡" indicate housing sizes to meet ISO5597.





605

ROD SEAL

*Twin Lip
Polyurethane*

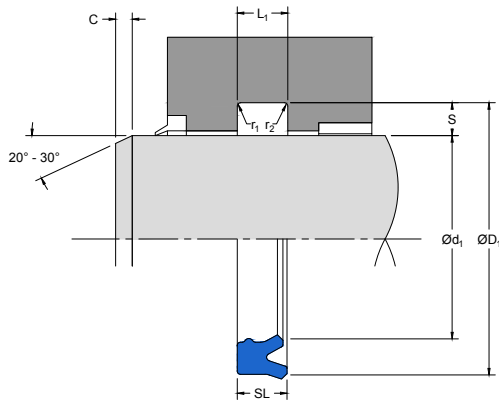
PART NUMBER RANGE

METRIC						
Ød ₁	TOL f9	ØD ₁	TOL Js11	SL	L ₁ +0.25-0	PART No.
36.00	-0.03 -0.09	44.00	+0.08 -0.08	6.40	7.50	4373900
36.00	-0.03 -0.09	44.00	+0.08 -0.08	8.20	9.00	4395000
36.00	-0.03 -0.09	46.00	+0.08 -0.08	5.70	6.30	4372100‡
36.00	-0.03 -0.09	46.00	+0.08 -0.08	7.30	8.00	4304900‡
36.00	-0.03 -0.09	46.00	+0.08 -0.08	10.00	11.00	4305000
36.00	-0.03 -0.09	51.00	+0.10 -0.10	10.00	11.00	4771600
37.00	-0.03 -0.09	47.00	+0.08 -0.08	10.00	11.00	4862900
38.00	-0.03 -0.09	48.00	+0.08 -0.08	8.00	9.00	4619100
38.00	-0.03 -0.09	48.00	+0.08 -0.08	10.00	11.00	4515500
38.00	-0.03 -0.09	50.00	+0.08 -0.08	10.00	11.00	4586300
38.00	-0.03 -0.09	53.00	+0.10 -0.10	10.00	11.00	4480900
40.00	-0.03 -0.09	48.00	+0.08 -0.08	5.70	6.30	4703300
40.00	-0.03 -0.09	48.00	+0.08 -0.08	8.20	9.00	4396800
40.00	-0.03 -0.09	49.52	+0.08 -0.08	9.50	10.50	4334200
40.00	-0.03 -0.09	50.00	+0.08 -0.08	6.00	7.00	4610300
40.00	-0.03 -0.09	50.00	+0.08 -0.08	7.30	8.00	4311600‡
40.00	-0.03 -0.09	50.00	+0.08 -0.08	9.00	10.00	4866800

NOTE

Part numbers commencing "46" or suffixed by "X" are designed to suit popular Asian housings.
Part numbers suffixed by "‡" indicate housing sizes to meet ISO5597.





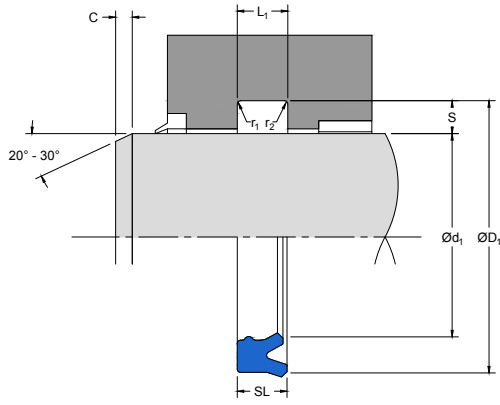
PART NUMBER RANGE

METRIC						
Ød ₁	TOL f ₉	ØD ₁	TOL Js11	SL	L ₁ +0.25-0	PART No.
40.00	-0.03 -0.09	50.00	+0.08 -0.08	10.00	11.00	4293800
40.00	-0.03 -0.09	52.00	+0.10 -0.10	10.90	12.00	4381800
40.00	-0.03 -0.09	55.00	+0.10 -0.10	7.30	8.00	4703400
40.00	-0.03 -0.09	55.00	+0.10 -0.10	9.00	10.00	4611700
40.00	-0.03 -0.09	55.00	+0.10 -0.10	10.00	11.00	4328300
40.00	-0.03 -0.09	55.00	+0.10 -0.10	11.40	12.50	4857600‡
42.00	-0.03 -0.09	50.00	+0.08 -0.08	5.70	6.30	4744400
42.00	-0.03 -0.09	50.00	+0.08 -0.08	7.50	8.00	4373800
42.00	-0.03 -0.09	52.00	+0.10 -0.10	6.00	7.00	4618100
42.00	-0.03 -0.09	52.00	+0.10 -0.10	10.00	11.00	4338200
43.00	-0.03 -0.09	53.00	+0.10 -0.10	6.00	7.00	4619700
45.00	-0.03 -0.09	53.00	+0.10 -0.10	7.30	8.00	4619800
45.00	-0.03 -0.09	53.00	+0.10 -0.10	8.10	9.00	4402900
45.00	-0.03 -0.09	53.00	+0.10 -0.10	11.80	13.00	4315600
45.00	-0.03 -0.09	55.00	+0.10 -0.10	5.60	6.30	4479700‡
45.00	-0.03 -0.09	55.00	+0.10 -0.10	6.00	7.00	4610400
45.00	-0.03 -0.09	55.00	+0.10 -0.10	7.30	8.00	4305900‡

NOTE

Part numbers commencing "46" or suffixed by "X" are designed to suit popular Asian housings.
Part numbers suffixed by "‡" indicate housing sizes to meet ISO5597.





605

ROD SEAL

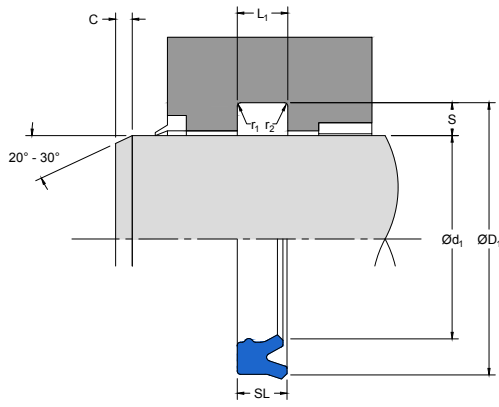
*Twin Lip
Polyurethane*

PART NUMBER RANGE

METRIC						
Ød ₁	TOL f9	ØD ₁	TOL Js11	SL	L ₁ +0.25-0	PART No.
45.00	-0.03 -0.09	55.00	+0.10 -0.10	8.20	9.00	4845700
45.00	-0.03 -0.09	55.00	+0.10 -0.10	10.00	11.00	4302600
45.00	-0.03 -0.09	57.70	+0.10 -0.10	9.50	10.50	4322800
45.00	-0.03 -0.09	60.00	+0.10 -0.10	10.00	11.00	4315400
45.00	-0.03 -0.09	60.00	+0.10 -0.10	11.40	12.50	4619900‡
45.00	-0.03 -0.09	65.00	+0.10 -0.10	10.00	11.00	4315500
47.00	-0.03 -0.09	56.33	+0.10 -0.10	9.00	10.00	4778000
48.00	-0.03 -0.09	56.00	+0.10 -0.10	11.40	12.50	4629800
48.00	-0.03 -0.09	60.00	+0.10 -0.10	10.00	11.00	4432600
50.00	-0.03 -0.09	57.00	+0.10 -0.10	9.00	10.00	4538600
50.00	-0.03 -0.09	60.00	+0.10 -0.10	6.00	7.00	4611800
50.00	-0.03 -0.09	60.00	+0.10 -0.10	7.30	8.00	4306000‡
50.00	-0.03 -0.09	60.00	+0.10 -0.10	8.20	9.00	4845800
50.00	-0.03 -0.09	60.00	+0.10 -0.10	10.00	11.00	4304500
50.00	-0.03 -0.09	60.00	+0.10 -0.10	11.80	13.00	4314400
50.00	-0.03 -0.09	62.70	+0.10 -0.10	9.50	10.50	4334400
50.00	-0.03 -0.09	63.00	+0.10 -0.10	10.00	11.00	4804400

NOTE

Part numbers commencing "46" or suffixed by "X" are designed to suit popular Asian housings.
Part numbers suffixed by "‡" indicate housing sizes to meet ISO5597.



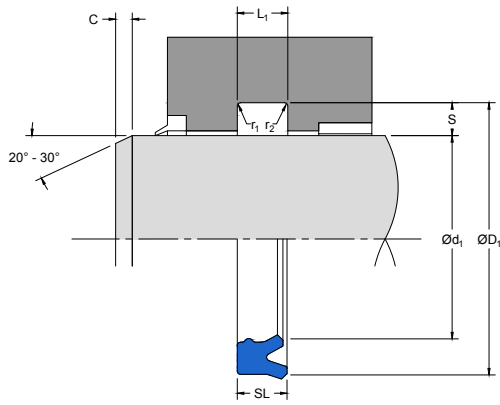
PART NUMBER RANGE

METRIC						
Ød ₁	TOL f ₉	ØD ₁	TOL Js11	SL	L ₁ +0.25-0	PART No.
50.00	-0.03 -0.09	65.00	+0.10 -0.10	9.00	10.00	4611900
50.00	-0.03 -0.09	65.00	+0.10 -0.10	9.50	10.50	4344000
50.00	-0.03 -0.09	65.00	+0.10 -0.10	10.00	11.00	4617000
50.00	-0.03 -0.09	65.00	+0.10 -0.10	10.90	12.00	4291700
50.00	-0.03 -0.09	65.00	+0.10 -0.10	11.40	12.50	4625400‡
50.00	-0.03 -0.09	65.00	+0.10 -0.10	14.50	16.00	4381900
50.00	-0.03 -0.09	70.00	+0.10 -0.10	12.00	13.00	4612000
53.00	-0.03 -0.10	63.00	+0.10 -0.10	6.00	7.00	4617700
53.00	-0.03 -0.10	65.00	+0.10 -0.10	9.00	10.00	4371700
55.00	-0.03 -0.10	63.00	+0.10 -0.10	8.20	9.00	4863400
55.00	-0.03 -0.10	65.00	+0.10 -0.10	6.00	7.00	4615600
55.00	-0.03 -0.10	65.00	+0.10 -0.10	7.30	8.00	4703500
55.00	-0.03 -0.10	65.00	+0.10 -0.10	8.20	9.00	4360400
55.00	-0.03 -0.10	65.00	+0.10 -0.10	10.00	11.00	4306100
55.00	-0.03 -0.10	65.00	+0.10 -0.10	11.80	13.00	4323400
55.00	-0.03 -0.10	68.00	+0.10 -0.10	10.00	11.00	4593800
55.00	-0.03 -0.10	70.00	+0.10 -0.10	9.00	10.00	4612100

NOTE

Part numbers commencing "46" or suffixed by "X" are designed to suit popular Asian housings. Part numbers suffixed by "‡" indicate housing sizes to meet ISO5597.





605

ROD SEAL

*Twin Lip
Polyurethane*

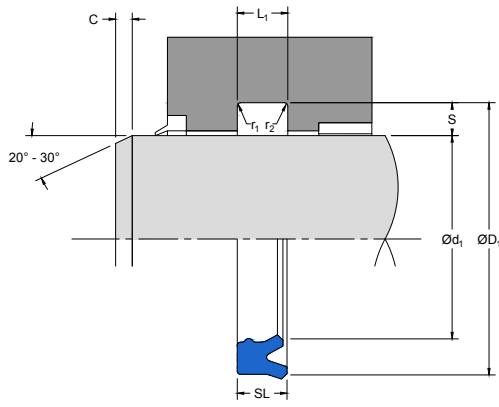
PART NUMBER RANGE

METRIC						
Ød ₁	TOL f9	ØD ₁	TOL Js11	SL	L ₁ +0.25-0	PART No.
55.00	-0.03 -0.10	70.00	+0.10 -0.10	11.80	13.00	4319200
55.00	-0.03 -0.10	71.00	+0.10 -0.10	12.00	13.00	4625000
55.00	-0.03 -0.10	75.00	+0.10 -0.10	12.00	13.00	4612200
56.00	-0.03 -0.10	66.00	+0.10 -0.10	10.00	11.00	4311800
56.00	-0.03 -0.10	71.00	+0.10 -0.10	10.00	11.00	4311900
56.00	-0.03 -0.10	71.00	+0.10 -0.10	11.40	12.50	4306200‡
60.00	-0.03 -0.10	68.00	+0.10 -0.10	11.40	12.50	4538000
60.00	-0.03 -0.10	70.00	+0.10 -0.10	6.00	7.00	4610500
60.00	-0.03 -0.10	70.00	+0.10 -0.10	7.30	8.00	4703600
60.00	-0.03 -0.10	70.00	+0.10 -0.10	10.00	11.00	4310600
60.00	-0.03 -0.10	70.00	+0.10 -0.10	11.80	13.00	4306300
60.00	-0.03 -0.10	71.00	+0.10 -0.10	7.00	8.00	4615700
60.00	-0.03 -0.10	72.00	+0.10 -0.10	10.00	11.00	4323500
60.00	-0.03 -0.10	73.00	+0.10 -0.10	10.00	11.00	4593900
60.00	-0.03 -0.10	75.00	+0.10 -0.10	9.00	10.00	4612300
60.00	-0.03 -0.10	75.00	+0.10 -0.10	10.00	11.00	4378700
60.00	-0.03 -0.10	75.00	+0.10 -0.10	11.40	12.50	4857700

NOTE

Part numbers commencing "46" or suffixed by "X" are designed to suit popular Asian housings.
Part numbers suffixed by "‡" indicate housing sizes to meet ISO5597.





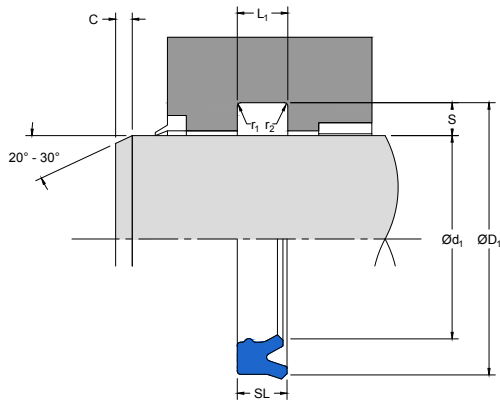
PART NUMBER RANGE

METRIC						
Ød ₁	TOL f ₉	ØD ₁	TOL Js11	SL	L ₁ +0.25-0	PART No.
60.00	-0.03 -0.10	75.00	+0.10 -0.10	11.80	13.00	4306400
60.00	-0.03 -0.10	75.00	+0.10 -0.10	20.50	22.50	4391800
60.00	-0.03 -0.10	76.00	+0.10 -0.10	10.00	11.00	4625100
60.00	-0.03 -0.10	80.00	+0.10 -0.10	11.40	12.50	4514300
60.00	-0.03 -0.10	80.00	+0.10 -0.10	12.00	13.00	4612400
63.00	-0.03 -0.10	73.00	+0.10 -0.10	6.00	7.00	4612500
63.00	-0.03 -0.10	73.00	+0.10 -0.10	11.80	13.00	4312000
63.00	-0.03 -0.10	78.00	+0.10 -0.10	10.00	11.00	4312100
63.00	-0.03 -0.10	78.00	+0.10 -0.10	11.40	12.50	4306500‡
63.00	-0.03 -0.10	83.00	+0.11 -0.11	11.80	13.00	4857800
65.00	-0.03 -0.10	75.00	+0.10 -0.10	6.00	7.00	4615900
65.00	-0.03 -0.10	75.00	+0.10 -0.10	7.70	9.00	4314500
65.00	-0.03 -0.10	75.00	+0.10 -0.10	11.80	13.00	4306600
65.00	-0.03 -0.10	77.00	+0.10 -0.10	9.00	10.00	4703700
65.00	-0.03 -0.10	77.70	+0.10 -0.10	9.50	10.50	4334500
65.00	-0.03 -0.10	78.00	+0.10 -0.10	10.00	11.00	4616200
65.00	-0.03 -0.10	80.00	+0.10 -0.10	9.00	10.00	4612600

NOTE

Part numbers commencing "46" or suffixed by "X" are designed to suit popular Asian housings.
Part numbers suffixed by "‡" indicate housing sizes to meet ISO5597.





605

ROD SEAL

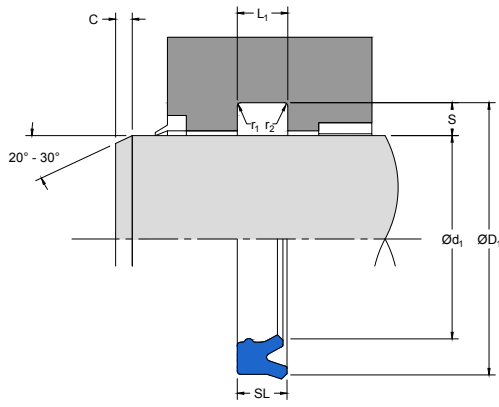
*Twin Lip
Polyurethane*

PART NUMBER RANGE

METRIC						
Ød ₁	TOL f9	ØD ₁	TOL Js11	SL	L ₁ +0.25-0	PART No.
65.00	-0.03 -0.10	80.00	+0.10 -0.10	11.80	13.00	4312200
65.00	-0.03 -0.10	85.00	+0.11 -0.11	12.00	13.00	4612700
67.00	-0.03 -0.10	77.00	+0.10 -0.10	6.00	7.00	4612800
68.50	-0.03 -0.10	76.50	+0.10 -0.10	8.00	9.00	4855200
70.00	-0.03 -0.10	78.00	+0.10 -0.10	11.40	12.50	4863500
70.00	-0.03 -0.10	80.00	+0.10 -0.10	6.00	7.00	4615800
70.00	-0.03 -0.10	80.00	+0.10 -0.10	11.40	12.50	4857900
70.00	-0.03 -0.10	80.00	+0.10 -0.10	11.80	13.00	4312300
70.00	-0.03 -0.10	82.00	+0.11 -0.11	8.70	9.60	4494700
70.00	-0.03 -0.10	82.00	+0.11 -0.11	10.00	11.00	4323600
70.00	-0.03 -0.10	83.00	+0.11 -0.11	10.00	11.00	4616400
70.00	-0.03 -0.10	85.00	+0.11 -0.11	9.00	10.00	4612900
70.00	-0.03 -0.10	85.00	+0.11 -0.11	10.00	11.00	4302700
70.00	-0.03 -0.10	85.00	+0.11 -0.11	11.40	12.50	4301200‡
70.00	-0.03 -0.10	85.00	+0.11 -0.11	20.50	22.50	4401400
70.00	-0.03 -0.10	90.00	+0.11 -0.11	12.00	13.00	4613000
75.00	-0.03 -0.10	83.00	+0.11 -0.11	11.40	12.50	4706300

NOTE

Part numbers commencing "46" or suffixed by "X" are designed to suit popular Asian housings.
Part numbers suffixed by "‡" indicate housing sizes to meet ISO5597.



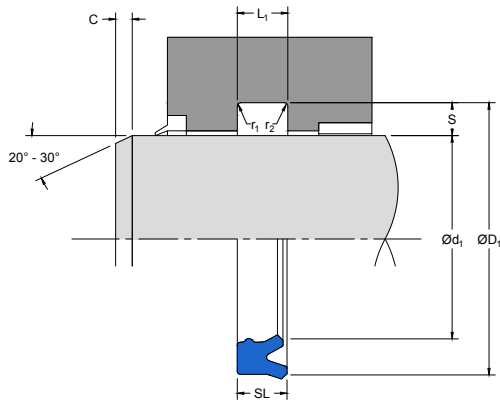
PART NUMBER RANGE

METRIC						
Ød ₁	TOL f ₉	ØD ₁	TOL Js11	SL	L ₁ +0.25-0	PART No.
75.00	-0.03 -0.10	85.00	+0.11 -0.11	6.00	7.00	4616800
75.00	-0.03 -0.10	85.00	+0.11 -0.11	11.40	12.50	4858000
75.00	-0.03 -0.10	85.00	+0.11 -0.11	11.80	13.00	4312400
75.00	-0.03 -0.10	88.00	+0.11 -0.11	10.00	11.00	4616300
75.00	-0.03 -0.10	90.00	+0.11 -0.11	9.00	10.00	4613100
75.00	-0.03 -0.10	90.00	+0.11 -0.11	10.00	11.00	4862800
75.00	-0.03 -0.10	90.00	+0.11 -0.11	11.40	12.50	4858100
75.00	-0.03 -0.10	95.00	+0.11 -0.11	12.00	13.00	4613200
77.00	-0.03 -0.10	87.00	+0.11 -0.11	11.80	13.00	4863100
78.00	-0.03 -0.10	86.00	+0.11 -0.11	9.00	10.00	4538700
78.00	-0.03 -0.10	86.00	+0.11 -0.11	11.40	12.50	4863600
80.00	-0.03 -0.10	88.00	+0.11 -0.11	10.90	12.00	4766600
80.00	-0.03 -0.10	90.00	+0.11 -0.11	6.00	7.00	4616000
80.00	-0.03 -0.10	90.00	+0.11 -0.11	10.00	11.00	4390400
80.00	-0.03 -0.10	90.00	+0.11 -0.11	11.80	13.00	4312500
80.00	-0.03 -0.10	92.00	+0.11 -0.11	8.70	9.60	4494800
80.00	-0.03 -0.10	93.00	+0.11 -0.11	10.00	11.00	4615200

NOTE

Part numbers commencing "46" or suffixed by "X" are designed to suit popular Asian housings.
Part numbers suffixed by "±" indicate housing sizes to meet ISO5597.





605

ROD SEAL

*Twin Lip
Polyurethane*

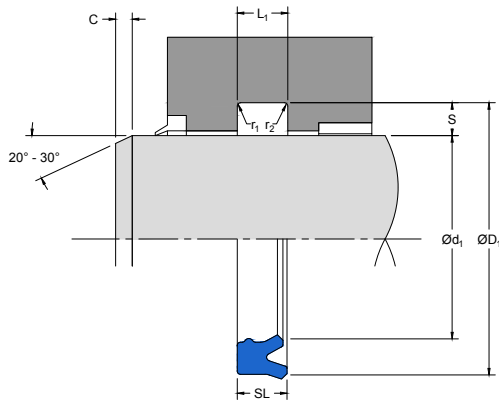
PART NUMBER RANGE

METRIC						
Ød ₁	TOL f9	ØD ₁	TOL Js11	SL	L ₁ +0.25-0	PART No.
80.00	-0.03 -0.10	95.00	+0.11 -0.11	9.00	10.00	4613300
80.00	-0.03 -0.10	95.00	+0.11 -0.11	10.00	11.00	4383500
80.00	-0.03 -0.10	95.00	+0.11 -0.11	11.40	12.50	4620000‡
80.00	-0.03 -0.10	95.00	+0.11 -0.11	11.80	13.00	4306700
80.00	-0.03 -0.10	100.00	+0.11 -0.11	12.00	13.00	4613400
80.00	-0.03 -0.10	100.00	+0.11 -0.11	14.50	16.00	4382800‡
80.00	-0.03 -0.10	110.00	+0.11 -0.11	16.40	18.00	4342900
85.00	-0.04 -0.12	93.00	+0.11 -0.11	8.20	9.00	4839100
85.00	-0.04 -0.12	93.00	+0.11 -0.11	10.00	11.00	4392700
85.00	-0.04 -0.12	93.00	+0.11 -0.11	11.40	12.50	4537900
85.00	-0.04 -0.12	95.00	+0.11 -0.11	11.80	13.00	4863700
85.00	-0.04 -0.12	100.00	+0.11 -0.11	9.00	10.00	4610600
85.00	-0.04 -0.12	100.00	+0.11 -0.11	10.00	11.00	4615300
85.00	-0.04 -0.12	100.00	+0.11 -0.11	11.80	13.00	4306800
85.00	-0.04 -0.12	105.00	+0.11 -0.11	12.00	13.00	4613500
90.00	-0.04 -0.12	98.00	+0.11 -0.11	11.40	12.50	4706400
90.00	-0.04 -0.12	100.00	+0.11 -0.11	6.80	7.50	4493500‡

NOTE

Part numbers commencing "46" or suffixed by "X" are designed to suit popular Asian housings.
Part numbers suffixed by "‡" indicate housing sizes to meet ISO5597.





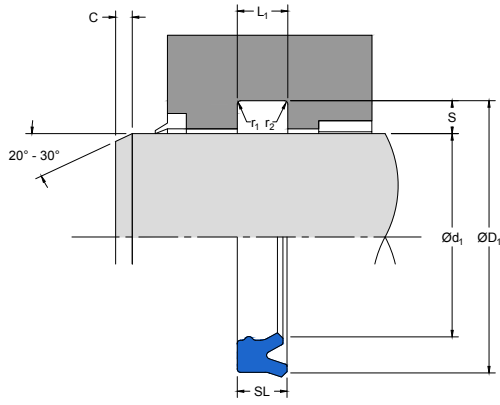
PART NUMBER RANGE

METRIC						
Ød ₁	TOL f ₉	ØD ₁	TOL Js11	SL	L ₁ +0.25-0	PART No.
90.00	-0.04 -0.12	100.00	+0.11 -0.11	9.00	10.00	4366900
90.00	-0.04 -0.12	100.00	+0.11 -0.11	11.40	12.50	4858200
90.00	-0.04 -0.12	100.00	+0.11 -0.11	11.80	13.00	4314600
90.00	-0.04 -0.12	102.00	+0.11 -0.11	8.70	9.60	4333000
90.00	-0.04 -0.12	105.00	+0.11 -0.11	9.00	10.00	4613600
90.00	-0.04 -0.12	105.00	+0.11 -0.11	10.00	11.00	4615400
90.00	-0.04 -0.12	105.00	+0.11 -0.11	11.40	12.50	4306900‡
90.00	-0.04 -0.12	110.00	+0.11 -0.11	12.00	13.00	4613700
95.00	-0.04 -0.12	103.00	+0.11 -0.11	11.40	12.50	4863200
95.00	-0.04 -0.12	110.00	+0.11 -0.11	9.00	10.00	4610700
95.00	-0.04 -0.12	110.00	+0.11 -0.11	10.00	11.00	4615500
95.00	-0.04 -0.12	110.00	+0.11 -0.11	11.80	13.00	4617600
95.00	-0.04 -0.12	115.00	+0.11 -0.11	12.00	13.00	4613800
96.00	-0.04 -0.12	104.00	+0.11 -0.11	10.90	12.00	4380300
98.00	-0.04 -0.12	112.00	+0.11 -0.11	8.50	9.50	4618200
100.00	-0.04 -0.12	108.00	+0.11 -0.11	10.90	12.00	4766700
100.00	-0.04 -0.12	110.00	+0.11 -0.11	10.90	12.00	4461700

NOTE

Part numbers commencing "46" or suffixed by "X" are designed to suit popular Asian housings.
Part numbers suffixed by "‡" indicate housing sizes to meet ISO5597.





605

ROD SEAL

*Twin Lip
Polyurethane*

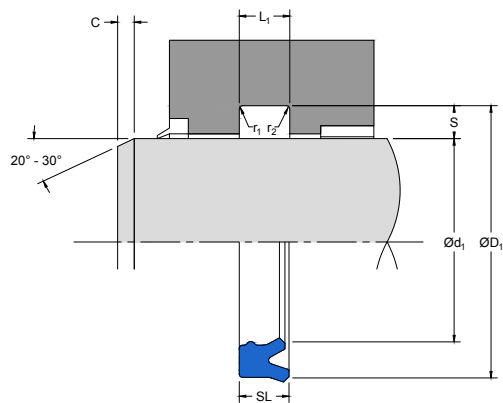
PART NUMBER RANGE

METRIC						
Ød ₁	TOL f9	ØD ₁	TOL Js11	SL	L ₁ +0.25-0	PART No.
100.00	-0.04 -0.12	115.00	+0.11 -0.11	9.00	10.00	4610800
100.00	-0.04 -0.12	115.00	+0.11 -0.11	10.00	11.00	4617100
100.00	-0.04 -0.12	115.00	+0.11 -0.11	11.80	13.00	4312600
100.00	-0.04 -0.12	120.00	+0.11 -0.11	11.80	13.00	4312700X
100.00	-0.04 -0.12	120.00	+0.11 -0.11	14.50	16.00	4307000‡
105.00	-0.04 -0.12	113.00	+0.11 -0.11	10.00	11.00	4392800
105.00	-0.04 -0.12	115.00	+0.11 -0.11	13.20	14.50	4390500
105.00	-0.04 -0.12	120.00	+0.11 -0.11	9.00	10.00	4617300
105.00	-0.04 -0.12	120.00	+0.11 -0.11	10.00	11.00	4617200
105.00	-0.04 -0.12	120.00	+0.11 -0.11	14.50	16.00	4379500
105.00	-0.04 -0.12	125.00	+0.13 -0.13	14.50	16.00	4617400
108.00	-0.04 -0.12	123.00	+0.13 -0.13	10.90	12.00	4329100
110.00	-0.04 -0.12	125.00	+0.13 -0.13	9.00	10.00	4459700X
110.00	-0.04 -0.12	125.00	+0.13 -0.13	11.00	12.00	4537800
110.00	-0.04 -0.12	125.00	+0.13 -0.13	14.50	16.00	4481600
110.00	-0.04 -0.12	130.00	+0.13 -0.13	11.80	13.00	4312800X
110.00	-0.04 -0.12	130.00	+0.13 -0.13	14.50	16.00	4307100‡

NOTE

Part numbers commencing "46" or suffixed by "X" are designed to suit popular Asian housings.
Part numbers suffixed by "‡" indicate housing sizes to meet ISO5597.





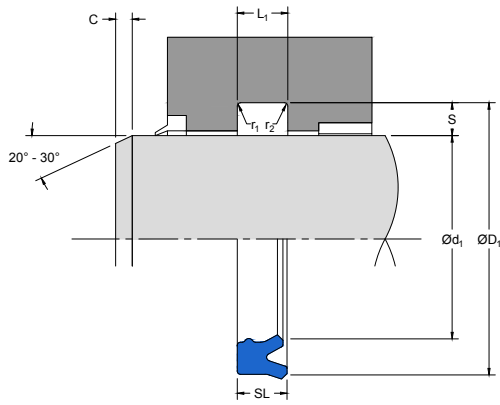
PART NUMBER RANGE

METRIC						
Ød ₁	TOL f ₉	ØD ₁	TOL Js11	SL	L ₁ +0.25-0	PART No.
110.00	-0.04 -0.12	135.00	+0.13 -0.13	14.50	16.00	4343000
112.00	-0.04 -0.12	125.00	+0.13 -0.13	9.00	10.00	4610900
115.00	-0.04 -0.12	123.00	+0.13 -0.13	11.40	12.50	4903400
115.00	-0.04 -0.12	125.00	+0.13 -0.13	11.00	12.00	4619300
115.00	-0.04 -0.12	130.00	+0.13 -0.13	9.00	10.00	4459800
115.00	-0.04 -0.12	130.00	+0.13 -0.13	10.90	12.00	4434600
115.00	-0.04 -0.12	130.00	+0.13 -0.13	14.50	16.00	4342600
120.00	-0.04 -0.12	128.00	+0.13 -0.13	11.40	12.50	4706500
120.00	-0.04 -0.12	130.00	+0.13 -0.13	10.90	12.00	4461800
120.00	-0.04 -0.12	135.00	+0.13 -0.13	9.00	10.00	4614000
120.00	-0.04 -0.12	140.00	+0.13 -0.13	12.00	13.00	4614100
120.00	-0.04 -0.12	140.00	+0.13 -0.13	14.50	16.00	4312900
124.00	-0.04 -0.14	134.00	+0.13 -0.13	6.00	7.00	4618300
125.00	-0.04 -0.14	133.00	+0.13 -0.13	10.00	11.00	4392900
125.00	-0.04 -0.14	133.00	+0.13 -0.13	11.40	12.50	4748500
125.00	-0.04 -0.14	140.00	+0.13 -0.13	9.00	10.00	4614200
125.00	-0.04 -0.14	140.00	+0.13 -0.13	10.00	11.00	4618400

NOTE

Part numbers commencing "46" or suffixed by "X" are designed to suit popular Asian housings. Part numbers suffixed by "±" indicate housing sizes to meet ISO5597.





605

ROD SEAL

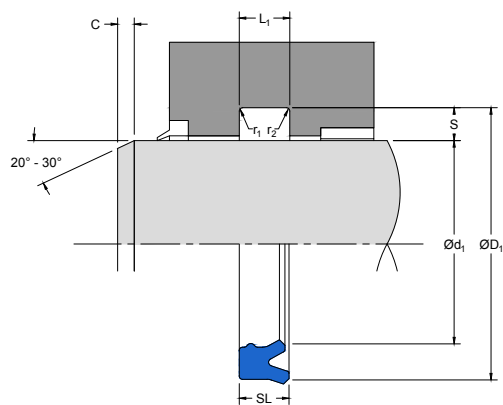
*Twin Lip
Polyurethane*

PART NUMBER RANGE

METRIC						
Ød ₁	TOL f9	ØD ₁	TOL Js11	SL	L ₁ +0.25-0	PART No.
125.00	-0.04 -0.14	140.00	+0.13 -0.13	10.90	12.00	4766500
125.00	-0.04 -0.14	145.00	+0.13 -0.13	12.00	13.00	4614300
125.00	-0.04 -0.14	145.00	+0.13 -0.13	14.50	16.00	4307300‡
125.00	-0.04 -0.14	150.00	+0.13 -0.13	12.50	14.00	4367000
130.00	-0.04 -0.14	140.00	+0.13 -0.13	14.50	16.00	4390600
130.00	-0.04 -0.14	145.00	+0.13 -0.13	9.00	10.00	4614400
130.00	-0.04 -0.14	145.00	+0.13 -0.13	10.00	11.00	4619000
130.00	-0.04 -0.14	150.00	+0.13 -0.13	12.00	13.00	4614500
130.00	-0.04 -0.14	150.00	+0.13 -0.13	14.50	16.00	4313000
132.50	-0.04 -0.14	157.50	+0.13 -0.13	13.20	14.50	4329400
135.00	-0.04 -0.14	143.00	+0.13 -0.13	11.40	12.50	4903500
135.00	-0.04 -0.14	145.00	+0.13 -0.13	11.00	12.00	4619400
135.00	-0.04 -0.14	150.00	+0.13 -0.13	9.00	10.00	4618500
135.00	-0.04 -0.14	150.00	+0.13 -0.13	11.40	12.50	4537700
140.00	-0.04 -0.14	150.00	+0.13 -0.13	6.00	7.00	4617900
140.00	-0.04 -0.14	150.00	+0.13 -0.13	10.90	12.00	4461900
140.00	-0.04 -0.14	150.00	+0.13 -0.13	11.80	13.00	4625800

NOTE

Part numbers commencing "46" or suffixed by "X" are designed to suit popular Asian housings.
Part numbers suffixed by "‡" indicate housing sizes to meet ISO5597.



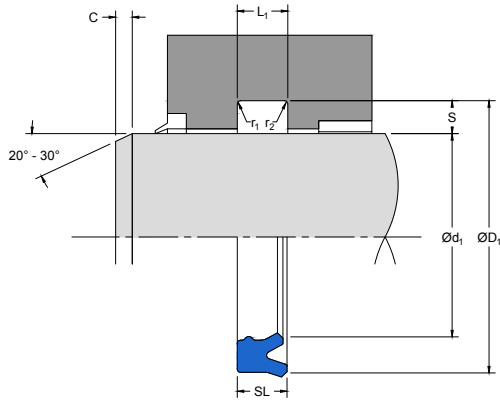
PART NUMBER RANGE

METRIC						
$\varnothing d_1$	TOL f9	$\varnothing D_1$	TOL Js11	SL	L_1 +0.25-0	PART No.
140.00	-0.04 -0.14	155.00	+0.13 -0.13	9.00	10.00	4614600
140.00	-0.04 -0.14	155.00	+0.13 -0.13	11.80	13.00	4555300
140.00	-0.04 -0.14	160.00	+0.13 -0.13	11.80	13.00	4313100X
140.00	-0.04 -0.14	160.00	+0.13 -0.13	14.50	16.00	4307400‡
150.00	-0.04 -0.14	160.00	+0.13 -0.13	11.00	12.00	4595200
150.00	-0.04 -0.14	165.00	+0.13 -0.13	9.00	10.00	4614700
150.00	-0.04 -0.14	170.00	+0.13 -0.13	12.00	13.00	4614800
150.00	-0.04 -0.14	170.00	+0.13 -0.13	13.20	14.50	4367100
150.00	-0.04 -0.14	170.00	+0.13 -0.13	14.50	16.00	4342800
151.00	-0.04 -0.14	159.00	+0.13 -0.13	9.00	10.00	4538800
155.00	-0.04 -0.14	163.00	+0.13 -0.13	11.40	12.50	4903600
155.00	-0.04 -0.14	165.00	+0.13 -0.13	6.00	7.00	4618600
155.00	-0.04 -0.14	165.00	+0.13 -0.13	11.00	12.00	4619500
155.00	-0.04 -0.14	170.00	+0.13 -0.13	9.00	10.00	4618700
155.00	-0.04 -0.14	170.00	+0.13 -0.13	14.50	16.00	4342700
160.00	-0.04 -0.14	175.00	+0.13 -0.13	9.00	10.00	4614900
160.00	-0.04 -0.14	175.00	+0.13 -0.13	10.90	12.00	4462000

NOTE

Part numbers commencing "46" or suffixed by "X" are designed to suit popular Asian housings.
Part numbers suffixed by "‡" indicate housing sizes to meet ISO5597.





605

ROD SEAL

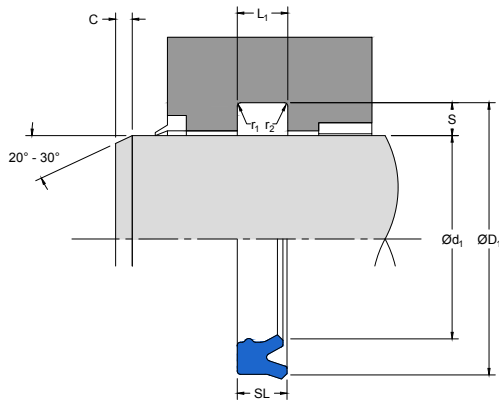
*Twin Lip
Polyurethane*

PART NUMBER RANGE

METRIC						
Ød ₁	TOL f9	ØD ₁	TOL Js11	SL	L ₁ +0.25-0	PART No.
160.00	-0.04 -0.14	180.00	+0.13 -0.13	12.00	13.00	4615000
160.00	-0.04 -0.14	180.00	+0.13 -0.13	14.50	16.00	4345000
165.00	-0.04 -0.14	180.00	+0.13 -0.13	9.00	10.00	4616500
170.00	-0.04 -0.14	180.00	+0.13 -0.13	6.00	7.00	4618800
170.00	-0.04 -0.14	180.00	+0.13 -0.13	11.80	13.00	4625900
170.00	-0.04 -0.14	185.00	+0.14 -0.14	9.00	10.00	4618000
170.00	-0.04 -0.14	190.00	+0.14 -0.14	14.50	16.00	4398800
180.00	-0.04 -0.14	190.00	+0.14 -0.14	11.00	12.00	4617800
180.00	-0.04 -0.14	192.00	+0.14 -0.14	12.50	14.00	4619600
180.00	-0.04 -0.14	200.00	+0.14 -0.14	11.80	13.00	4314700‡
180.00	-0.04 -0.14	200.00	+0.14 -0.14	14.50	16.00	4560900
185.00	-0.05 -0.17	200.00	+0.14 -0.14	10.90	12.00	4462100
190.00	-0.05 -0.17	210.00	+0.14 -0.14	14.50	16.00	4896600
190.00	-0.05 -0.17	215.00	+0.14 -0.14	18.50	20.00	4749400
200.00	-0.05 -0.17	220.00	+0.14 -0.14	12.00	13.00	4615100
200.00	-0.05 -0.17	220.00	+0.14 -0.14	14.50	16.00	4380200
205.00	-0.05 -0.17	220.00	+0.14 -0.14	12.20	13.50	4522400

NOTE

Part numbers commencing "46" or suffixed by "X" are designed to suit popular Asian housings.
Part numbers suffixed by "‡" indicate housing sizes to meet ISO5597.



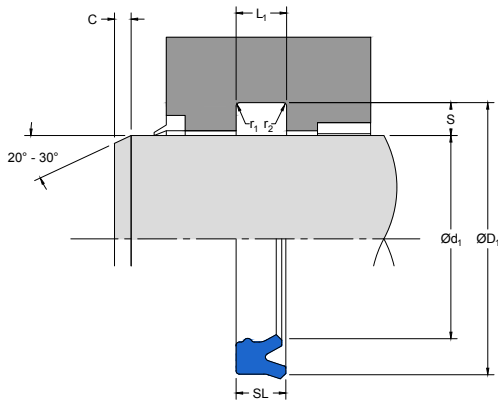
PART NUMBER RANGE

METRIC						
Ød ₁	TOL f9	ØD ₁	TOL Js11	SL	L ₁ +0.25-0	PART No.
210.00	-0.05 -0.17	222.00	+0.14 -0.14	12.30	13.50	4625200
220.00	-0.05 -0.17	240.00	+0.14 -0.14	14.50	16.00	4555400
240.00	-0.05 -0.17	260.00	+0.16 -0.16	14.50	16.00	4626300
255.00	-0.06 -0.19	275.00	+0.16 -0.16	14.50	16.00	4629700
260.00	-0.06 -0.19	270.00	+0.16 -0.16	12.30	13.50	4625300
260.00	-0.06 -0.19	280.00	+0.16 -0.16	14.50	16.00	4859300
290.00	-0.06 -0.19	310.00	+0.16 -0.16	14.50	16.00	4896200
330.00	-0.06 -0.20	350.00	+0.18 -0.18	18.00	20.00	4587400

NOTE

Part numbers commencing "46" or suffixed by "X" are designed to suit popular Asian housings.
Part numbers suffixed by "±" indicate housing sizes to meet ISO5597.





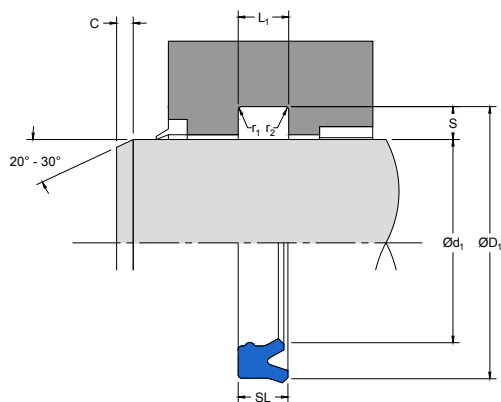
605

ROD SEAL

*Twin Lip
Polyurethane*

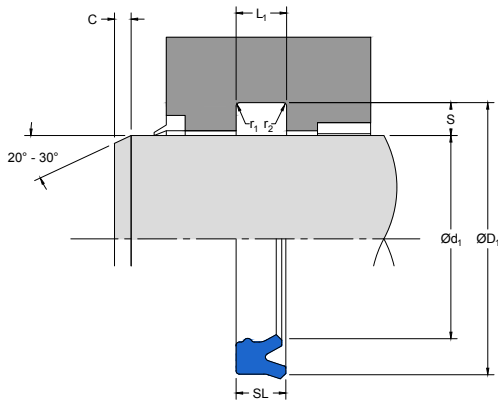
PART NUMBER RANGE

INCH						
Ød ₁	TOL f ₉	ØD ₁	TOL Js ₁₁	SL	L ₁ +0.010-0	PART No.
0.375	-0.001 -0.002	0.625	+0.002 -0.002	0.198	0.218	4544300
0.375	-0.001 -0.002	0.750	+0.003 -0.003	0.312	0.344	4710500
0.500	-0.001 -0.002	0.750	+0.003 -0.003	0.187	0.207	4576100
0.562	-0.001 -0.002	0.813	+0.003 -0.003	0.187	0.207	4576200
0.625	-0.001 -0.002	0.875	+0.003 -0.003	0.187	0.207	4493700
0.625	-0.001 -0.002	0.875	+0.003 -0.003	0.241	0.265	4329000
0.625	-0.001 -0.002	1.000	+0.003 -0.003	0.281	0.312	4447200
0.688	-0.001 -0.002	0.938	+0.003 -0.003	0.187	0.207	4572000
0.750	-0.001 -0.003	1.000	+0.003 -0.003	0.125	0.138	4552900
0.750	-0.001 -0.003	1.000	+0.003 -0.003	0.187	0.207	4571000
0.750	-0.001 -0.003	1.000	+0.003 -0.003	0.250	0.275	4345100
0.750	-0.001 -0.003	1.125	+0.003 -0.003	0.312	0.344	4512200
0.813	-0.001 -0.003	1.063	+0.003 -0.003	0.187	0.207	4576300
0.813	-0.001 -0.003	1.063	+0.003 -0.003	0.250	0.275	4558700
0.875	-0.001 -0.003	1.125	+0.003 -0.003	0.187	0.207	4576400
0.875	-0.001 -0.003	1.125	+0.003 -0.003	0.250	0.275	4442500



PART NUMBER RANGE

INCH						
Ød ₁	TOL f9	ØD ₁	TOL Js11	SL	L ₁ +0.010-0	PART No.
0.875	-0.001 -0.003	1.250	+0.003 -0.003	0.324	0.356	4794500
0.875	-0.001 -0.003	1.375	+0.003 -0.003	0.341	0.375	4373100
1.000	-0.001 -0.003	1.240	+0.003 -0.003	0.192	0.211	4371800
1.000	-0.001 -0.003	1.250	+0.003 -0.003	0.187	0.207	4442600
1.000	-0.001 -0.003	1.250	+0.003 -0.003	0.250	0.275	4345200
1.000	-0.001 -0.003	1.312	+0.003 -0.003	0.219	0.241	4493800
1.000	-0.001 -0.003	1.375	+0.003 -0.003	0.187	0.207	4801700
1.000	-0.001 -0.003	1.375	+0.003 -0.003	0.250	0.275	4456800
1.000	-0.001 -0.003	1.375	+0.003 -0.003	0.312	0.344	4345900
1.000	-0.001 -0.003	1.500	+0.003 -0.003	0.255	0.275	4430200
1.000	-0.001 -0.003	1.500	+0.003 -0.003	0.341	0.375	4330100
1.000	-0.001 -0.003	1.500	+0.003 -0.003	0.375	0.413	4308400
1.063	-0.001 -0.003	1.302	+0.003 -0.003	0.187	0.207	4410300
1.063	-0.001 -0.003	1.313	+0.003 -0.003	0.250	0.275	4394500
1.125	-0.001 -0.003	1.365	+0.003 -0.003	0.192	0.211	4384500
1.125	-0.001 -0.003	1.375	+0.003 -0.003	0.187	0.207	4442700



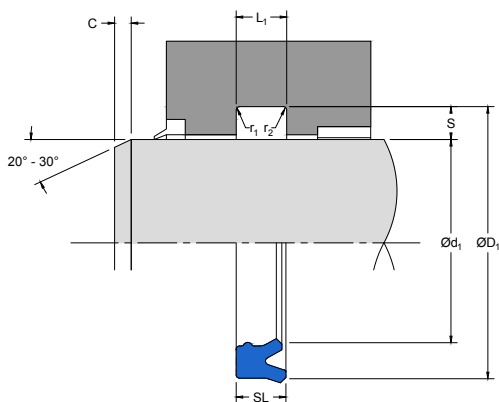
605

ROD SEAL

*Twin Lip
Polyurethane*

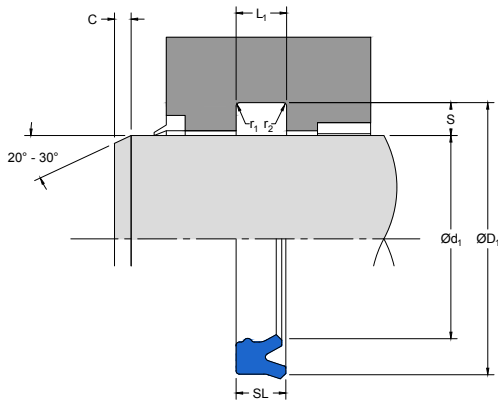
PART NUMBER RANGE

INCH						
Ød ₁	TOL f ₉	ØD ₁	TOL Js ₁₁	SL	L ₁ +0.010-0	PART No.
1.125	-0.001 -0.003	1.375	+0.003 -0.003	0.250	0.275	4388000
1.125	-0.001 -0.003	1.399	+0.003 -0.003	0.192	0.211	4371900
1.125	-0.001 -0.003	1.500	+0.003 -0.003	0.312	0.344	4392600
1.125	-0.001 -0.003	1.562	+0.003 -0.003	0.325	0.360	4568800
1.125	-0.001 -0.003	1.625	+0.003 -0.003	0.250	0.275	4370900
1.125	-0.001 -0.003	1.750	+0.003 -0.003	0.397	0.437	4373000
1.187	-0.001 -0.003	1.562	+0.003 -0.003	0.250	0.275	4458600
1.250	-0.001 -0.003	1.500	+0.003 -0.003	0.187	0.207	4359600
1.250	-0.001 -0.003	1.500	+0.003 -0.003	0.250	0.275	4345300
1.250	-0.001 -0.003	1.625	+0.003 -0.003	0.187	0.207	4552600
1.250	-0.001 -0.003	1.625	+0.003 -0.003	0.227	0.250	4330200
1.250	-0.001 -0.003	1.625	+0.003 -0.003	0.250	0.275	4460600
1.250	-0.001 -0.003	1.625	+0.003 -0.003	0.312	0.344	4346000
1.250	-0.001 -0.003	1.750	+0.003 -0.003	0.250	0.275	4513500
1.250	-0.001 -0.003	1.750	+0.003 -0.003	0.375	0.413	4335800
1.250	-0.001 -0.003	1.875	+0.003 -0.003	0.397	0.437	4330300



PART NUMBER RANGE

INCH						
Ød ₁	TOL f9	ØD ₁	TOL Js11	SL	L ₁ +0.010-0	PART No.
1.375	-0.001 -0.003	1.625	+0.003 -0.003	0.187	0.207	4392200
1.375	-0.001 -0.003	1.625	+0.003 -0.003	0.250	0.275	4345400
1.375	-0.001 -0.003	1.687	+0.003 -0.003	0.219	0.241	4493900
1.375	-0.001 -0.003	1.750	+0.003 -0.003	0.187	0.207	4552800
1.375	-0.001 -0.003	1.750	+0.003 -0.003	0.312	0.344	4346100
1.375	-0.001 -0.003	1.875	+0.003 -0.003	0.375	0.413	4403100
1.375	-0.001 -0.003	2.000	+0.004 -0.004	0.397	0.437	4330400
1.437	-0.001 -0.003	1.812	+0.003 -0.003	0.312	0.344	4442800
1.500	-0.001 -0.003	1.750	+0.003 -0.003	0.250	0.275	4345500
1.500	-0.001 -0.003	1.875	+0.003 -0.003	0.187	0.207	4576600
1.500	-0.001 -0.003	1.875	+0.003 -0.003	0.250	0.275	4322100
1.500	-0.001 -0.003	1.875	+0.003 -0.003	0.312	0.344	4346200
1.500	-0.001 -0.003	1.875	+0.003 -0.003	0.375	0.413	4385400
1.500	-0.001 -0.003	2.000	+0.004 -0.004	0.250	0.275	4394400
1.500	-0.001 -0.003	2.000	+0.004 -0.004	0.341	0.375	4330500
1.500	-0.001 -0.003	2.000	+0.004 -0.004	0.375	0.413	4322200



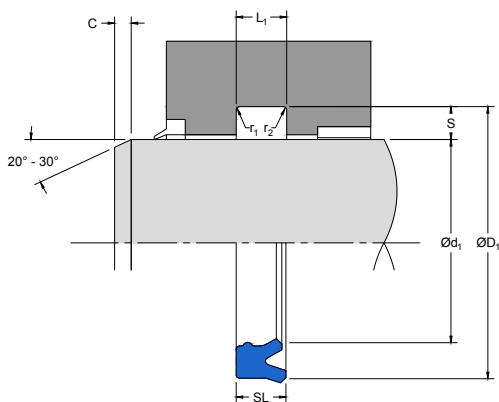
605

ROD SEAL

*Twin Lip
Polyurethane*

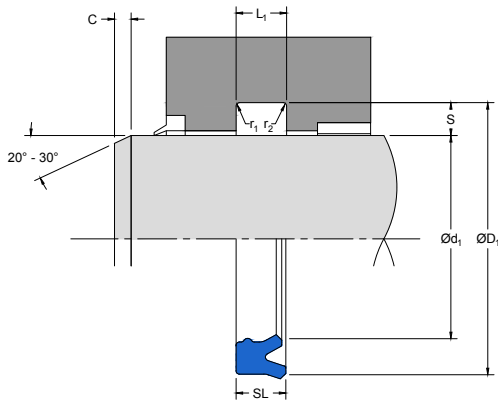
PART NUMBER RANGE

INCH						
Ød ₁	TOL f ₉	ØD ₁	TOL Js ₁₁	SL	L ₁ +0.010-0	PART No.
1.500	-0.001 -0.003	2.125	+0.004 -0.004	0.375	0.413	4442900
1.500	-0.001 -0.003	2.125	+0.004 -0.004	0.397	0.437	4330600
1.625	-0.001 -0.003	1.875	+0.003 -0.003	0.250	0.275	4345600
1.625	-0.001 -0.003	2.000	+0.004 -0.004	0.281	0.312	4542800
1.625	-0.001 -0.003	2.000	+0.004 -0.004	0.312	0.344	4443000
1.625	-0.001 -0.003	2.000	+0.004 -0.004	0.375	0.413	4443100
1.625	-0.001 -0.003	2.125	+0.004 -0.004	0.375	0.413	4512100
1.750	-0.001 -0.003	2.000	+0.004 -0.004	0.250	0.275	4345700
1.750	-0.001 -0.003	2.125	+0.004 -0.004	0.250	0.275	4357200
1.750	-0.001 -0.003	2.125	+0.004 -0.004	0.312	0.344	4346300
1.750	-0.001 -0.003	2.125	+0.004 -0.004	0.375	0.413	4366800
1.750	-0.001 -0.003	2.250	+0.004 -0.004	0.250	0.275	4552700
1.750	-0.001 -0.003	2.250	+0.004 -0.004	0.341	0.375	4330700
1.750	-0.001 -0.003	2.250	+0.004 -0.004	0.375	0.413	4337000
1.750	-0.001 -0.003	2.250	+0.004 -0.004	0.500	0.550	4376800
1.750	-0.001 -0.003	2.375	+0.004 -0.004	0.437	0.481	4443200



PART NUMBER RANGE

INCH						
Ød ₁	TOL f9	ØD ₁	TOL Js11	SL	L ₁ +0.010-0	PART No.
1.875	-0.001 -0.003	2.250	+0.004 -0.004	0.312	0.344	4834600
1.875	-0.001 -0.003	2.250	+0.004 -0.004	0.375	0.413	4476200
1.875	-0.001 -0.003	2.375	+0.004 -0.004	0.375	0.413	4391200
1.875	-0.001 -0.003	2.500	+0.004 -0.004	0.397	0.437	4331500
2.000	-0.001 -0.004	2.250	+0.004 -0.004	0.250	0.275	4345800
2.000	-0.001 -0.004	2.375	+0.004 -0.004	0.250	0.275	4458700
2.000	-0.001 -0.004	2.375	+0.004 -0.004	0.312	0.344	4346400
2.000	-0.001 -0.004	2.375	+0.004 -0.004	0.375	0.413	4380100
2.000	-0.001 -0.004	2.500	+0.004 -0.004	0.250	0.275	4496900
2.000	-0.001 -0.004	2.500	+0.004 -0.004	0.312	0.344	4382900
2.000	-0.001 -0.004	2.500	+0.004 -0.004	0.341	0.375	4330900
2.000	-0.001 -0.004	2.500	+0.004 -0.004	0.375	0.413	4337100
2.000	-0.001 -0.004	2.500	+0.004 -0.004	0.781	0.859	4491400
2.000	-0.001 -0.004	2.625	+0.004 -0.004	0.312	0.344	4333100
2.000	-0.001 -0.004	2.625	+0.004 -0.004	0.397	0.437	4331000
2.000	-0.001 -0.004	2.625	+0.004 -0.004	0.500	0.550	4346500



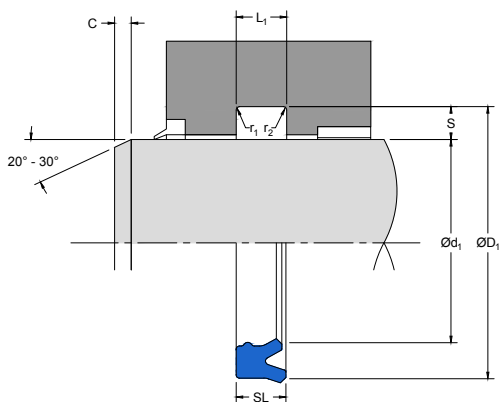
605

ROD SEAL

*Twin Lip
Polyurethane*

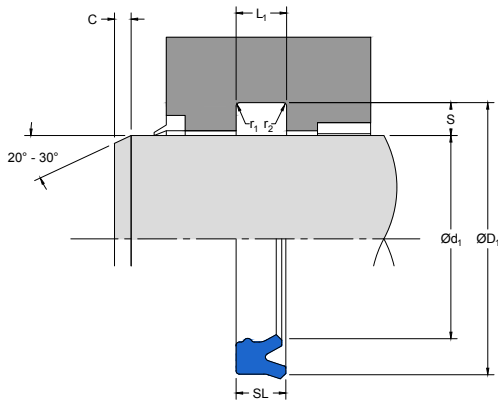
PART NUMBER RANGE

INCH						
Ød ₁	TOL f ₉	ØD ₁	TOL Js ₁₁	SL	L ₁ +0.010-0	PART No.
2.000	-0.001 -0.004	2.750	+0.004 -0.004	0.625	0.688	4347300
2.125	-0.001 -0.004	2.500	+0.004 -0.004	0.375	0.413	4443300
2.250	-0.001 -0.004	2.625	+0.004 -0.004	0.335	0.375	4372200
2.250	-0.001 -0.004	2.750	+0.004 -0.004	0.341	0.375	4331100
2.250	-0.001 -0.004	2.750	+0.004 -0.004	0.375	0.413	4337200
2.250	-0.001 -0.004	2.875	+0.004 -0.004	0.500	0.550	4750200
2.250	-0.001 -0.004	3.000	+0.004 -0.004	0.511	0.562	4331200
2.375	-0.001 -0.004	2.750	+0.004 -0.004	0.375	0.413	4443400
2.375	-0.001 -0.004	2.875	+0.004 -0.004	0.375	0.413	4443500
2.500	-0.001 -0.004	2.875	+0.004 -0.004	0.312	0.344	4443600
2.500	-0.001 -0.004	2.875	+0.004 -0.004	0.375	0.413	4458500
2.500	-0.001 -0.004	2.937	+0.004 -0.004	0.284	0.312	4535900
2.500	-0.001 -0.004	3.000	+0.004 -0.004	0.250	0.275	4553000
2.500	-0.001 -0.004	3.000	+0.004 -0.004	0.284	0.312	4331300
2.500	-0.001 -0.004	3.000	+0.004 -0.004	0.375	0.413	4335900
2.500	-0.001 -0.004	3.125	+0.004 -0.004	0.500	0.550	4346600



PART NUMBER RANGE

INCH						
Ød ₁	TOL f9	ØD ₁	TOL Js11	SL	L ₁ +0.010-0	PART No.
2.500	-0.001 -0.004	3.250	+0.004 -0.004	0.625	0.688	4347400
2.625	-0.001 -0.004	3.000	+0.004 -0.004	0.375	0.413	4443700
2.625	-0.001 -0.004	3.125	+0.004 -0.004	0.500	0.550	4514900
2.625	-0.001 -0.004	3.250	+0.004 -0.004	0.625	0.688	4376900
2.735	-0.001 -0.004	3.250	+0.004 -0.004	0.312	0.344	4746400
2.750	-0.001 -0.004	3.125	+0.004 -0.004	0.375	0.413	4379100
2.750	-0.001 -0.004	3.250	+0.004 -0.004	0.375	0.413	4336000
2.750	-0.001 -0.004	3.375	+0.004 -0.004	0.375	0.413	4456900
2.750	-0.001 -0.004	3.375	+0.004 -0.004	0.500	0.550	4346700
2.750	-0.001 -0.004	3.375	+0.004 -0.004	0.805	0.885	4467400
2.750	-0.001 -0.004	3.500	+0.004 -0.004	0.625	0.688	4347500
2.875	-0.001 -0.004	3.250	+0.004 -0.004	0.375	0.413	4443800
2.875	-0.001 -0.004	3.375	+0.004 -0.004	0.375	0.413	4760200
3.000	-0.001 -0.004	3.375	+0.004 -0.004	0.375	0.413	4468300
3.000	-0.001 -0.004	3.438	+0.004 -0.004	0.281	0.310	4539900
3.000	-0.001 -0.004	3.500	+0.004 -0.004	0.375	0.413	4336100



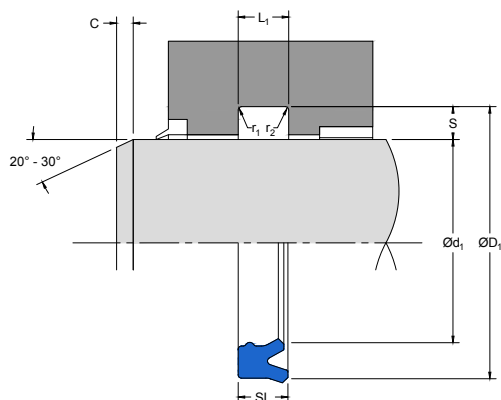
605

ROD SEAL

*Twin Lip
Polyurethane*

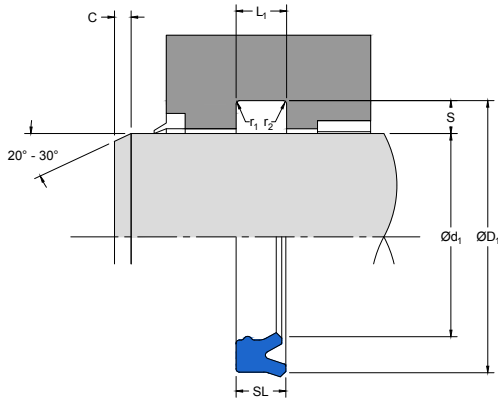
PART NUMBER RANGE

INCH						
Ød ₁	TOL f ₉	ØD ₁	TOL Js ₁₁	SL	L ₁ +0.010-0	PART No.
3.000	-0.001 -0.004	3.500	+0.004 -0.004	0.625	0.688	4399600
3.000	-0.001 -0.004	3.500	+0.004 -0.004	0.781	0.859	4476900
3.000	-0.001 -0.004	3.625	+0.004 -0.004	0.500	0.550	4346800
3.000	-0.001 -0.004	3.750	+0.004 -0.004	0.625	0.688	4347600
3.125	-0.001 -0.004	3.500	+0.004 -0.004	0.625	0.688	4399700
3.250	-0.001 -0.005	3.625	+0.004 -0.004	0.375	0.413	4714100
3.250	-0.001 -0.005	3.625	+0.004 -0.004	0.562	0.619	4476800
3.250	-0.001 -0.005	3.750	+0.004 -0.004	0.375	0.413	4336200
3.250	-0.001 -0.005	3.875	+0.004 -0.004	0.500	0.550	4415400
3.375	-0.001 -0.005	3.875	+0.004 -0.004	0.375	0.413	4760300
3.375	-0.001 -0.005	4.000	+0.004 -0.004	0.594	0.653	4377000
3.500	-0.001 -0.005	3.875	+0.004 -0.004	0.375	0.413	4468400
3.500	-0.001 -0.005	4.000	+0.004 -0.004	0.312	0.344	4540000
3.500	-0.001 -0.005	4.000	+0.004 -0.004	0.375	0.413	4336300
3.500	-0.001 -0.005	4.125	+0.004 -0.004	0.500	0.550	4346900
3.500	-0.001 -0.005	4.250	+0.004 -0.004	0.625	0.688	4347700



PART NUMBER RANGE

INCH						
Ød ₁	TOL f9	ØD ₁	TOL Js11	SL	L ₁ +0.010-0	PART No.
3.625	-0.001 -0.005	4.125	+0.004 -0.004	0.375	0.413	4436200
3.750	-0.001 -0.005	4.125	+0.004 -0.004	0.375	0.413	4702500
3.750	-0.001 -0.005	4.250	+0.004 -0.004	0.375	0.413	4443900
3.750	-0.001 -0.005	4.250	+0.004 -0.004	0.500	0.550	4456500
3.750	-0.001 -0.005	4.250	+0.004 -0.004	0.562	0.625	4436100
3.875	-0.001 -0.005	4.375	+0.004 -0.004	0.375	0.413	4760400
4.000	-0.001 -0.005	4.375	+0.004 -0.004	0.375	0.413	4468500
4.000	-0.001 -0.005	4.500	+0.004 -0.004	0.312	0.344	4586700
4.000	-0.001 -0.005	4.500	+0.004 -0.004	0.375	0.413	4336400
4.000	-0.001 -0.005	4.500	+0.004 -0.004	0.562	0.619	4385700
4.000	-0.001 -0.005	4.500	+0.004 -0.004	0.781	0.859	4399800
4.000	-0.001 -0.005	4.625	+0.004 -0.004	0.375	0.413	4520100
4.000	-0.001 -0.005	4.625	+0.004 -0.004	0.500	0.550	4347000
4.000	-0.001 -0.005	4.750	+0.005 -0.005	0.500	0.550	4444000
4.000	-0.001 -0.005	4.750	+0.005 -0.005	0.625	0.688	4347800
4.250	-0.001 -0.005	5.000	+0.005 -0.005	0.625	0.688	4347900



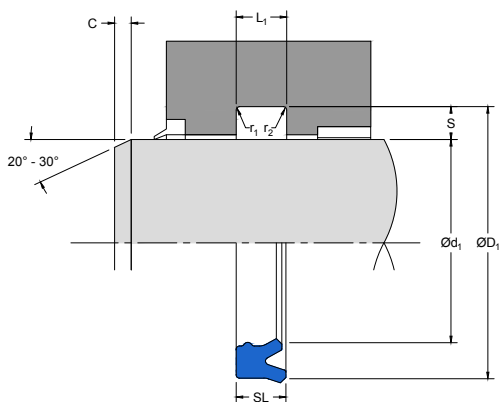
605

ROD SEAL

*Twin Lip
Polyurethane*

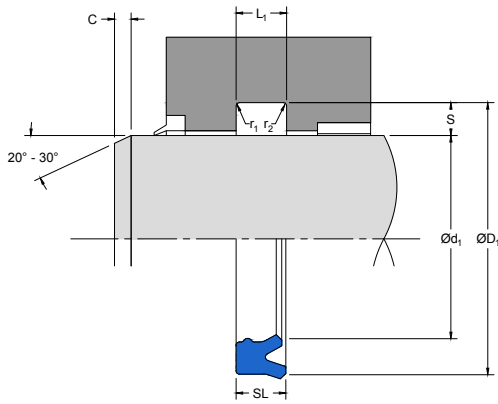
PART NUMBER RANGE

INCH						
Ød ₁	TOL f ₉	ØD ₁	TOL Js ₁₁	SL	L ₁ +0.010-0	PART No.
4.375	-0.001 -0.005	4.875	+0.005 -0.005	0.375	0.413	4760500
4.500	-0.001 -0.005	5.000	+0.005 -0.005	0.375	0.413	4379200
4.500	-0.001 -0.005	5.125	+0.005 -0.005	0.500	0.550	4347100
4.500	-0.001 -0.005	5.125	+0.005 -0.005	0.625	0.688	4444100
4.500	-0.001 -0.005	5.250	+0.005 -0.005	0.625	0.688	4348000
4.625	-0.001 -0.005	5.250	+0.005 -0.005	0.625	0.688	4377100
4.750	-0.002 -0.006	5.125	+0.005 -0.005	0.375	0.413	4714200
4.750	-0.002 -0.006	5.250	+0.005 -0.005	0.625	0.688	4451100
4.875	-0.002 -0.006	5.375	+0.005 -0.005	0.375	0.413	4760600
5.000	-0.002 -0.006	5.500	+0.005 -0.005	0.375	0.413	4495000
5.000	-0.002 -0.006	5.500	+0.005 -0.005	0.562	0.619	4386100
5.000	-0.002 -0.006	5.500	+0.005 -0.005	0.781	0.859	4399900
5.000	-0.002 -0.006	5.531	+0.005 -0.005	0.557	0.619	4391400
5.000	-0.002 -0.006	5.625	+0.005 -0.005	0.500	0.550	4347200
5.000	-0.002 -0.006	5.750	+0.005 -0.005	0.625	0.688	4348100
5.125	-0.002 -0.006	5.625	+0.005 -0.005	0.562	0.619	4436000



PART NUMBER RANGE

INCH						
Ød ₁	TOL f9	ØD ₁	TOL Js11	SL	L ₁ +0.010-0	PART No.
5.125	-0.002 -0.006	6.000	+0.005 -0.005	0.500	0.550	4444200
5.375	-0.002 -0.006	5.875	+0.005 -0.005	0.625	0.688	4475800
5.375	-0.002 -0.006	6.000	+0.005 -0.005	0.625	0.688	4448300
5.500	-0.002 -0.006	6.000	+0.005 -0.005	0.375	0.413	4379300
5.500	-0.002 -0.006	6.000	+0.005 -0.005	0.562	0.619	4468600
5.500	-0.002 -0.006	6.125	+0.005 -0.005	0.312	0.344	4540100
5.500	-0.002 -0.006	6.250	+0.005 -0.005	0.625	0.688	4348200
5.625	-0.002 -0.006	6.125	+0.005 -0.005	0.375	0.413	4714300
6.000	-0.002 -0.006	6.500	+0.005 -0.005	0.562	0.619	4436500
6.000	-0.002 -0.006	6.500	+0.005 -0.005	0.781	0.859	4400000
6.000	-0.002 -0.006	6.531	+0.005 -0.005	0.562	0.619	4391000
6.000	-0.002 -0.006	6.750	+0.005 -0.005	0.625	0.688	4348300
6.500	-0.002 -0.006	7.250	+0.006 -0.006	0.625	0.688	4348400
7.000	-0.002 -0.006	7.500	+0.006 -0.006	0.562	0.619	4436600
7.000	-0.002 -0.006	7.500	+0.006 -0.006	0.780	0.859	4456600
7.000	-0.002 -0.006	7.531	+0.006 -0.006	0.562	0.619	4391100



605

ROD SEAL

*Twin Lip
Polyurethane*

PART NUMBER RANGE

INCH						
$\varnothing d_1$	TOL f9	$\varnothing D_1$	TOL Js11	SL	L_1 +0.010-0	PART No.
7.000	-0.002 -0.006	7.750	+0.006 -0.006	0.625	0.688	4348500
7.500	-0.002 -0.006	8.000	+0.006 -0.006	0.375	0.413	4714400
7.750	-0.002 -0.006	8.500	+0.006 -0.006	0.625	0.688	4353900
8.000	-0.002 -0.006	8.500	+0.006 -0.006	0.375	0.413	4733400
8.000	-0.002 -0.006	8.500	+0.006 -0.006	0.562	0.619	4468700
8.000	-0.002 -0.006	8.750	+0.006 -0.006	0.625	0.688	4510500
8.125	-0.002 -0.006	8.625	+0.006 -0.006	0.781	0.859	4477000
8.500	-0.002 -0.006	9.000	+0.006 -0.006	0.375	0.413	4733500
9.000	-0.002 -0.006	9.500	+0.006 -0.006	0.562	0.619	4468800
9.250	-0.002 -0.006	10.000	+0.006 -0.006	0.625	0.688	4499300
9.375	-0.002 -0.006	9.875	+0.006 -0.006	0.781	0.859	4477100
9.750	-0.002 -0.006	10.250	+0.006 -0.006	0.375	0.413	4733600
10.000	-0.002 -0.007	10.500	+0.006 -0.006	0.562	0.619	4468900